



## PFM-PP-Q-002

### Magnet Float

RoHS

REACH

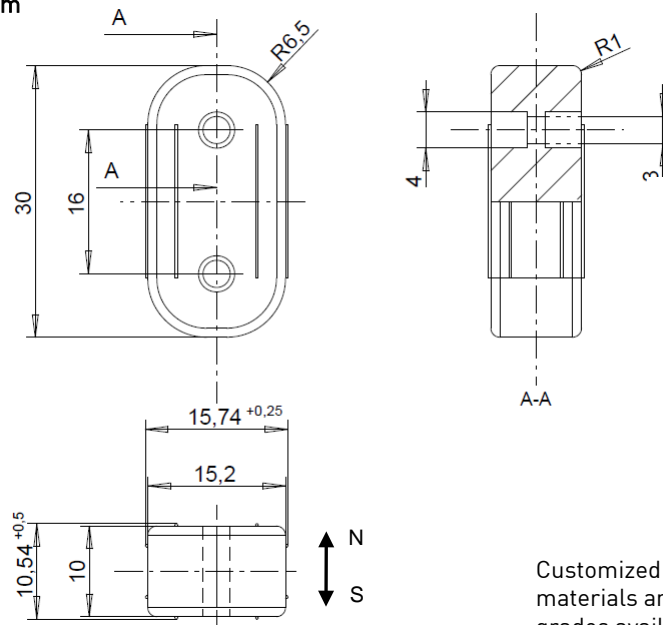
#### Data

Float housing	PP Foam -black (for use in water and diluted acids)	
Magnet	NdFeB, N35	
Magnetical Orientation	axially	

Remanence Br	mT	1185
Coercivity HcB	kA/m	828
Coercivity HcJ	kA/m	955
Energy Product (BH) max.	kJ/m <sup>3</sup>	275
Magnetic Moment M	x10 <sup>-5</sup> Vs cm	1.6
Operating Temperature max.	°C	80

Nominal values unless otherwise specified.

#### Dimensions in mm



Customized types, other magnet materials and high temperature grades available

#### Mechanical Characteristics

@ 25°C

Density of float typ. *	g/cm <sup>3</sup>	0.88
Weight per piece	g	3.5

\* In delivery condition